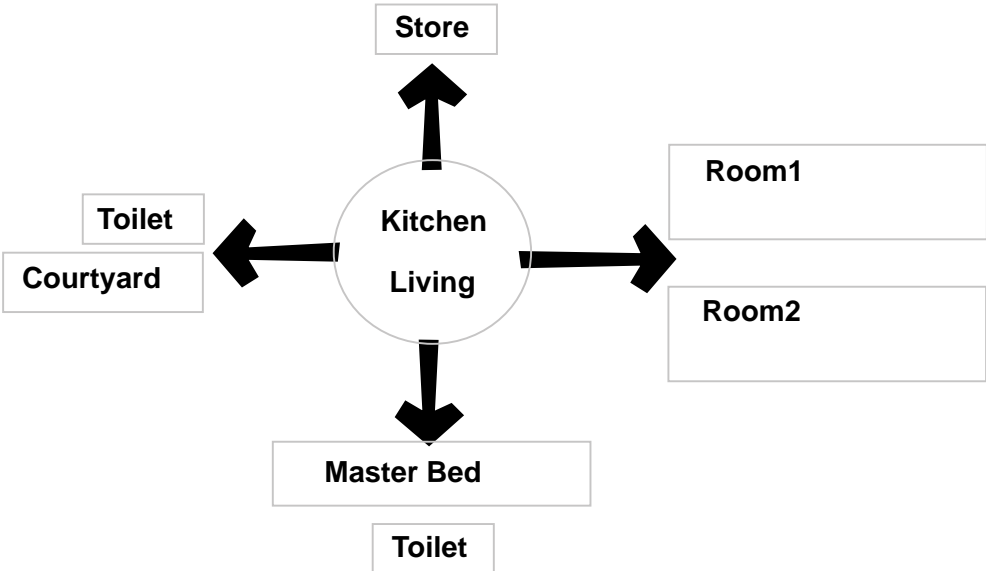


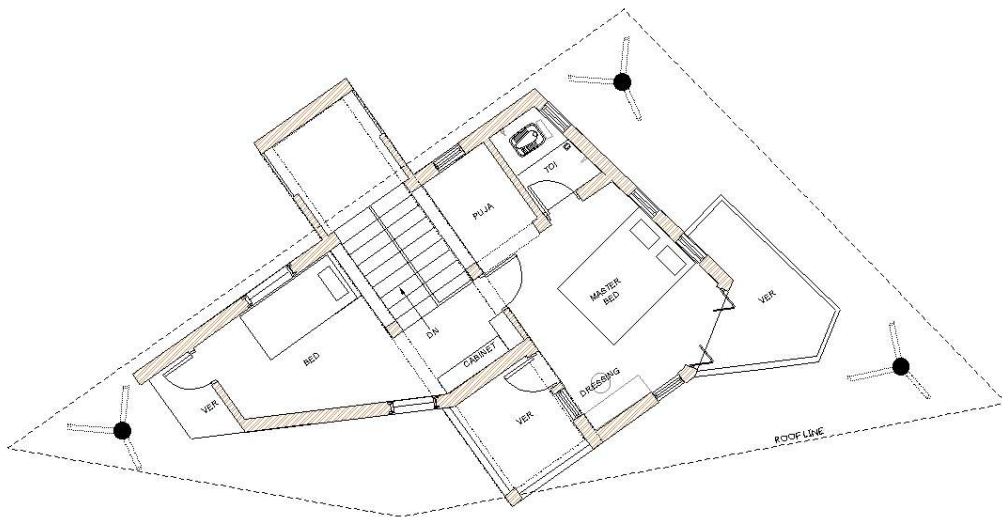
# EXPERIMENTAL HOUSE

One of the optimum shapes that was derived by the GS was used to design a small residence in Kolkata. The house was intended to be a single volume space with floor decks and minimum partitions. This was done to make the entire volume behave as a single zone instead of a combination of smaller sub-zones inside.

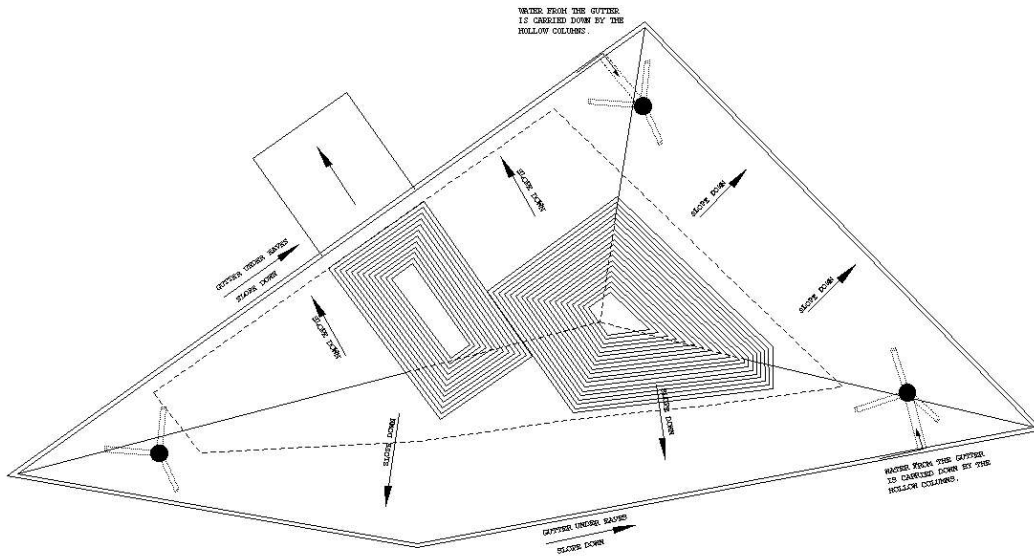




**Ground floor plan**



**First floor plan**



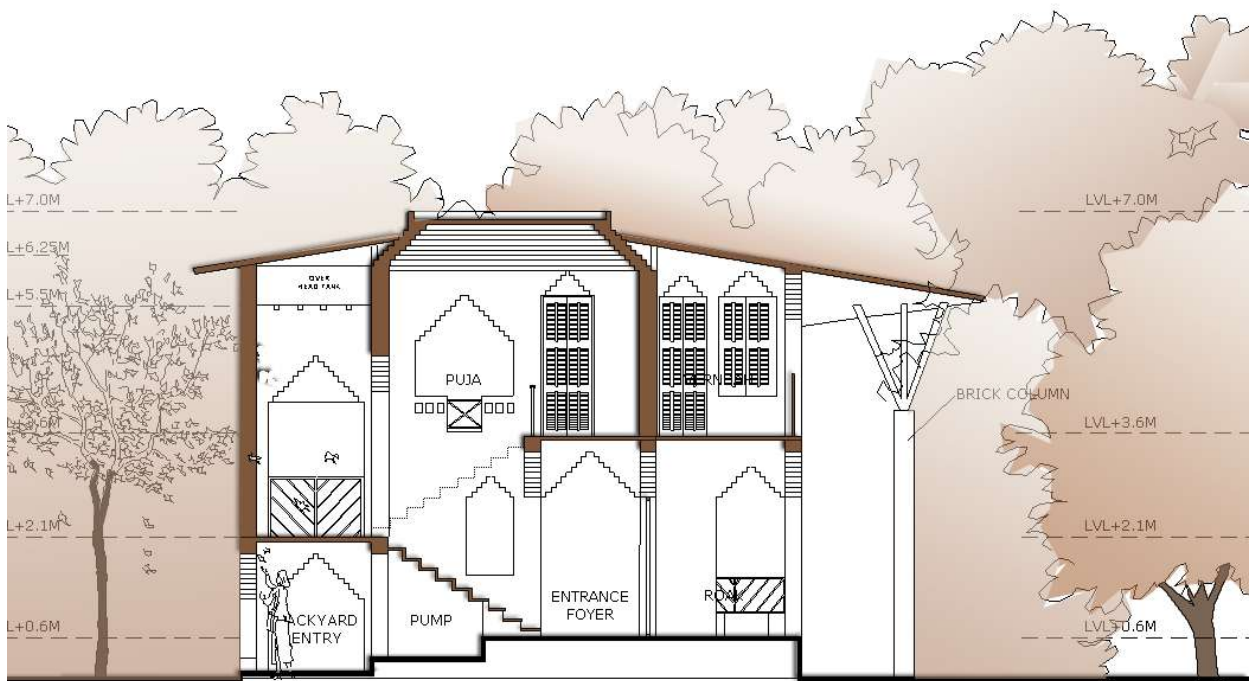
**Roof plan**



**Elevation**

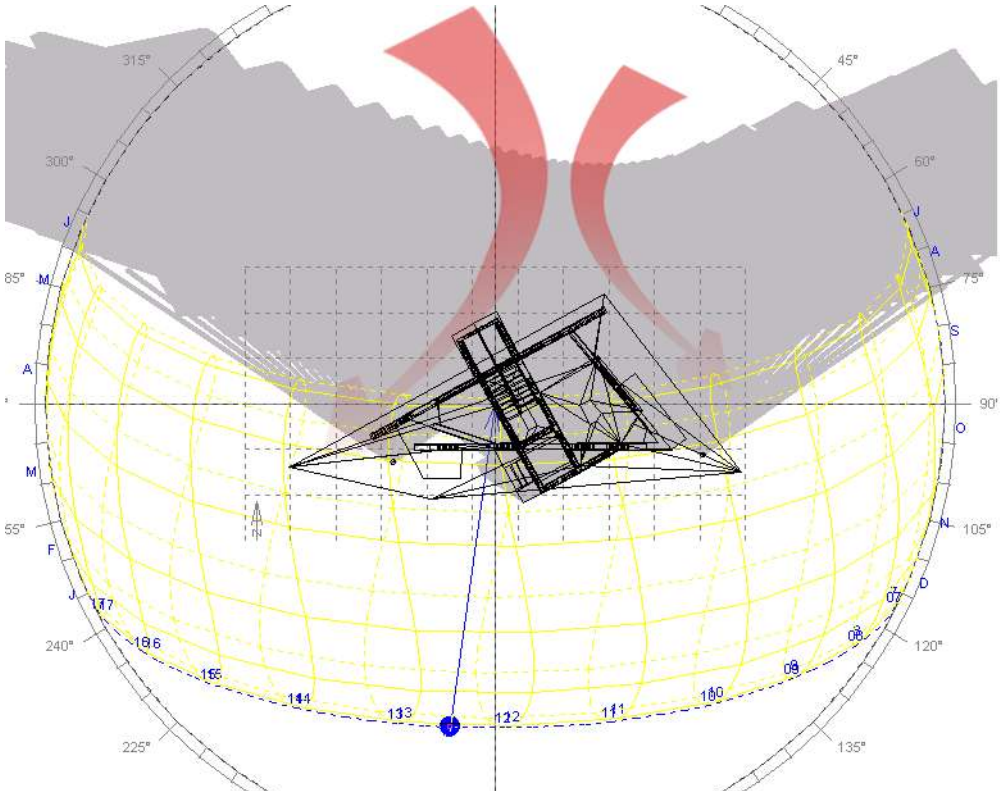


**section A-A**

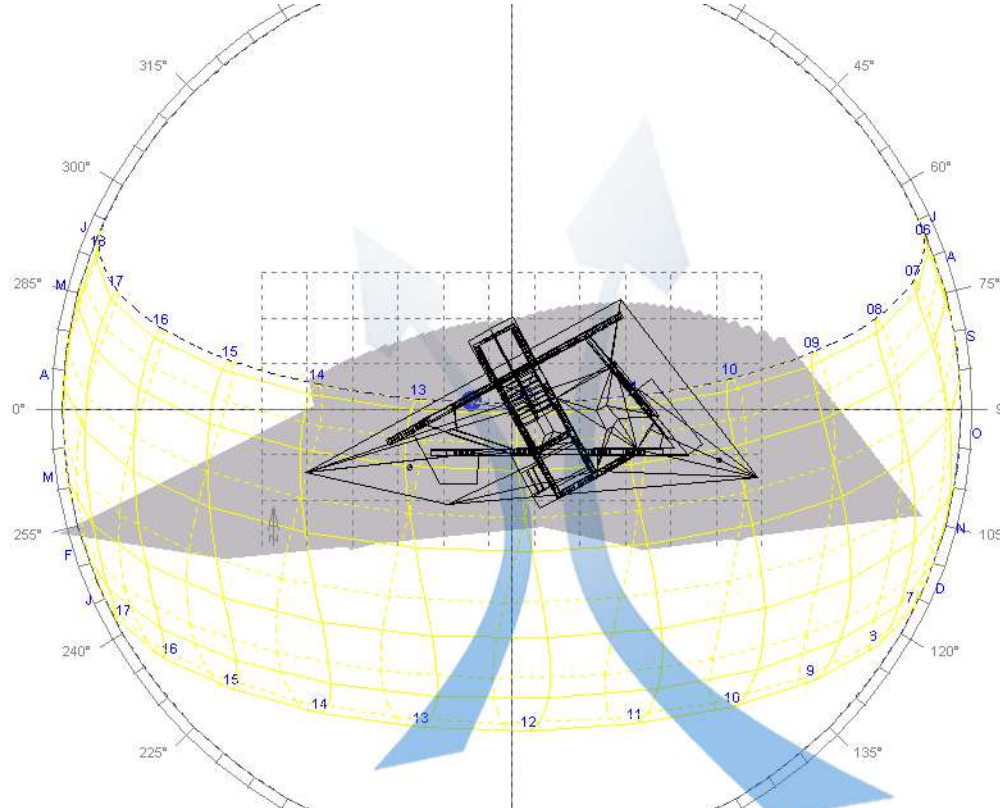


**section B-B**

# POST DESIGN EVALUATION : WIND



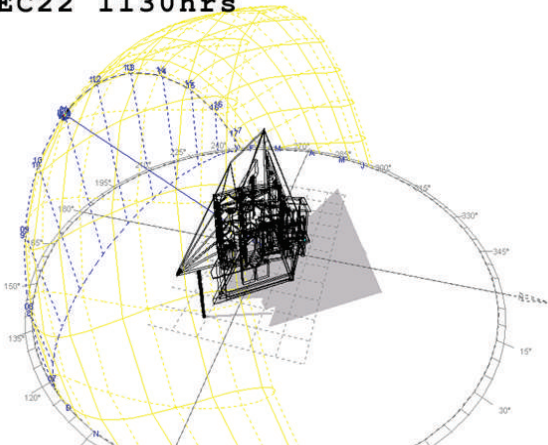
- Cold undesirable winter winds deflected away



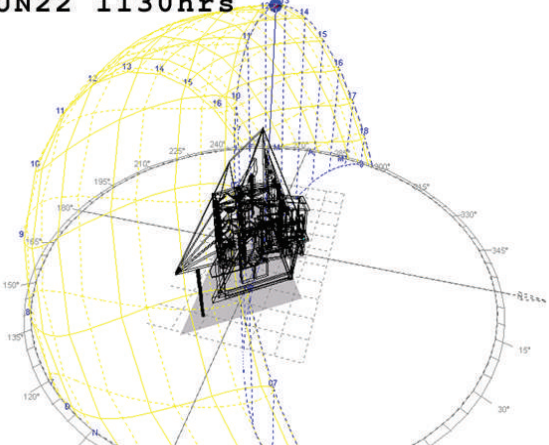
- Desirable summer winds funneled in.

# POST DESIGN EVALUATION : SUN

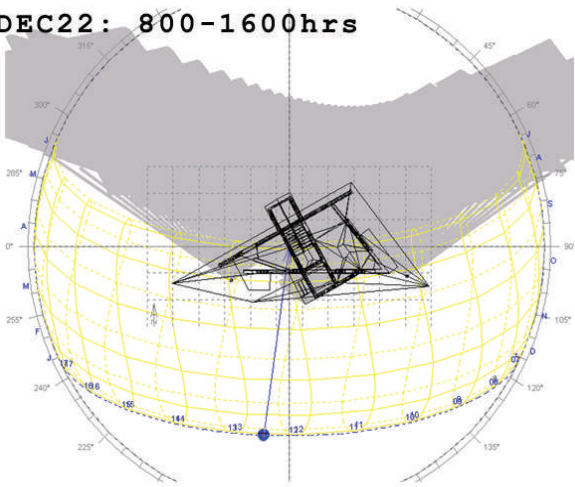
DEC22 1130hrs



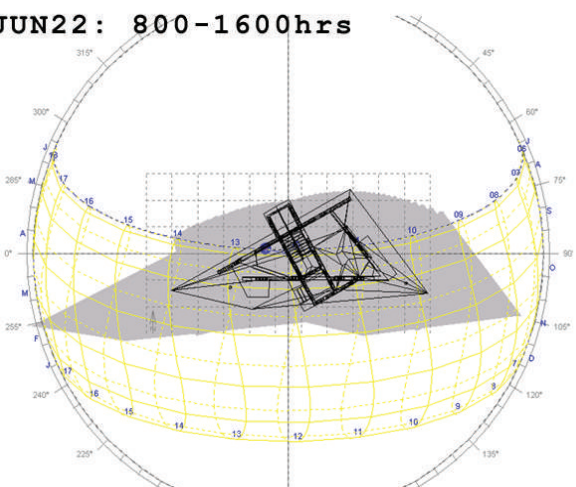
JUN22 1130hrs



DEC22: 800-1600hrs



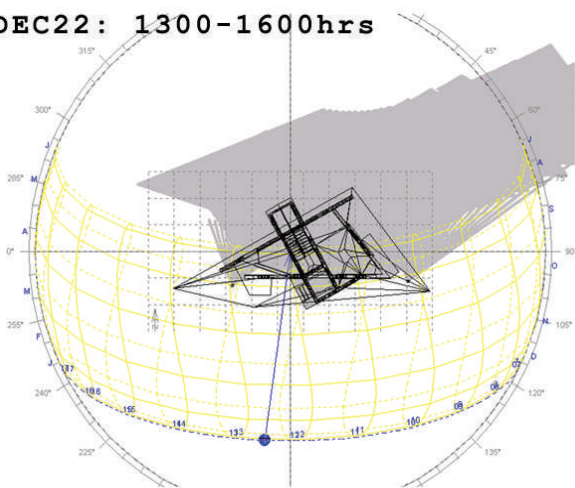
JUN22: 800-1600hrs



DESIRABLE RADIATION BEING FUNNELED IN DURING WINTER MONTHS.

THE BUILT-FORM STREAMLINED AGAINST THE SUN. ONLY ONE WALL AND THE ROOF RECEIVES THE DIRECT SUN IN THE WORST SUMMER CONDITIONS.

DEC22: 1300-1600hrs



JUN22: 1300-1600hrs

